



## TECHNICAL DATASHEET

### TAB AGM STOP&GO AG75

#### ORDER INFORMATION

TAB ID

**1000805**

Short Code

**AG75**

DIN Marking

**57029 AGM**

EAN Code

**3838807051416**

Quantity per EU/CNT pallet

**48/80 pcs**

#### TECHNOLOGY

Primary Function

**Advanced Start/Stop Functionality**

Battery Technology

**AGM - Absorbent Glass Mat**

Grid Type (pos/neg)

**Casted/Concasted**

Grid Alloy (pos/neg)

**Ca/Ca**

Separator

**GM**

Electrolyte (g/cm<sup>3</sup>)

**1,3**

#### TECHNICAL INFORMATION

Voltage (V)

**12**

Capacity C20 (Ah)

**75**

CCA -18°C EN (A)

**750**

RC (min)

**140**

LxWxH (mm)

**263x173x200/221**

Total Weight (kg)

**20.4**

#### BOX DESIGN

Box Type

**D26**

Cover Type

**Sealed**

Colour

**Black**

Layout

**0**

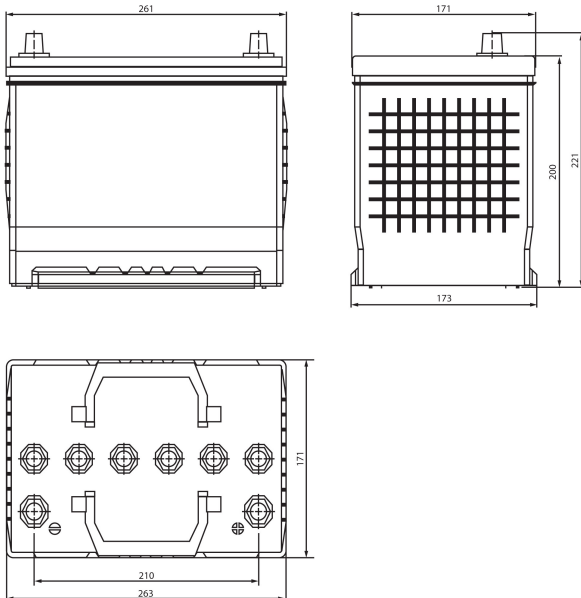
BHD

**B1**

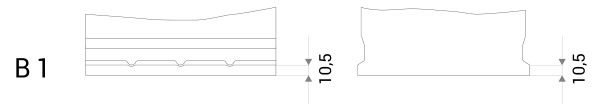
Terminal

**1**

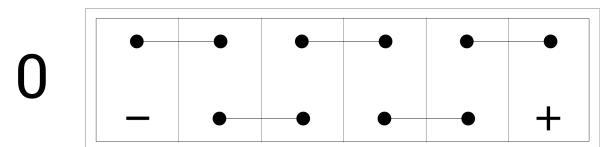
## DRAWING



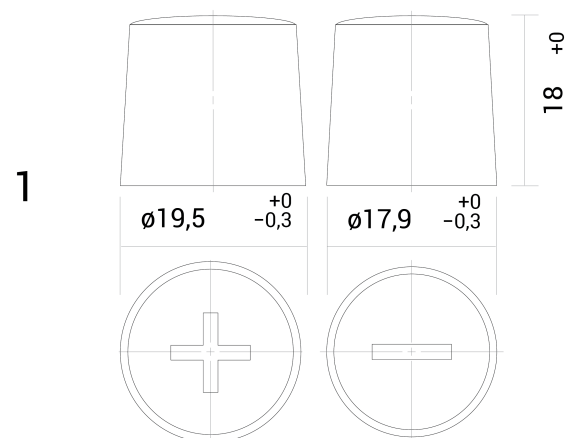
## BHD



## LAYOUT



## TERMINAL



# TECHNICAL DATASHEET

## TAB AGM STOP&GO AG75

TAB d.d, Polena 6, SI-2392 Mežica, Slovenia, [www.tab.si](http://www.tab.si)